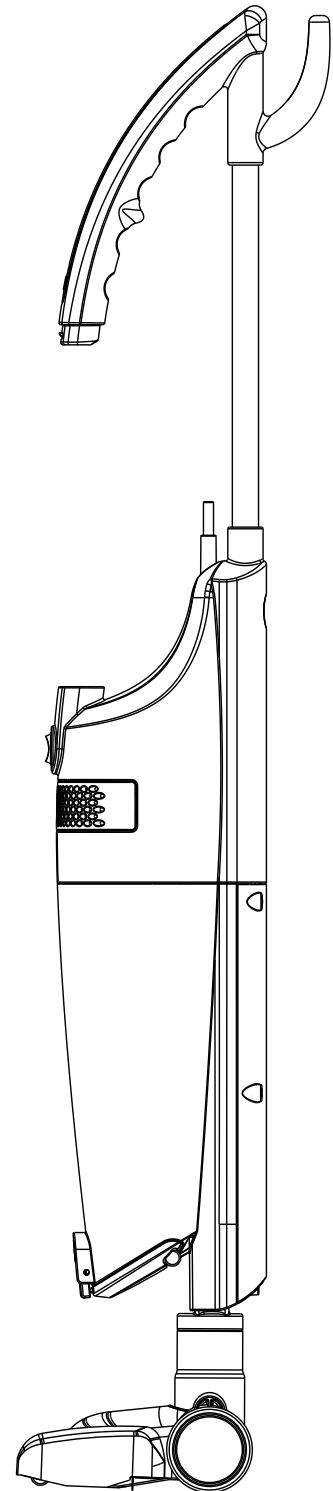


800W Stick Vacuum Cleaner VC-STK800-BLUE

Contents

Introduction	1
Parts Included	1
Technical Specifications	1
Important Safeguards	2, 3
Using the Appliance	4
Cleaning	4
Troubleshooting	5
Environmental Info and Support	6



For household use only

1. Please read the instructions and warranty information carefully before use and keep them handy for future reference.
2. The appliance may only be operated in accordance with these instructions.
3. Specifications, design and dimensions are subject to change without prior notice.



800W Stick Vacuum Cleaner VC-STK800-BLUE

Introduction

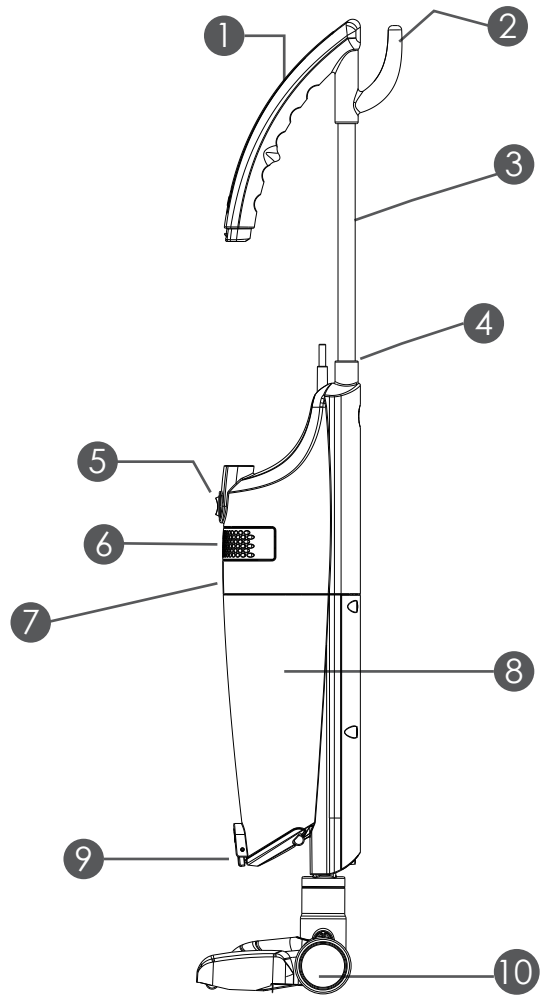
Congratulations on your new purchase and thank you for choosing Dihl.

Your new vacuum cleaner is powerful and compact which provides fast and effective cleaning of carpets, upholstery and hard floors. The long cord feature takes the hassle out of vacuuming the stairs and those hard to reach areas.

With bagless technology, you can empty the vacuum cleaner with just one click!

PARTS INCLUDED

1. Handle
2. Cable hook
3. Telescopic pole
4. Telescopic pole release button
5. ON/OFF button
6. Air outlet
7. HEPA Filter
8. Dust tank
9. Dust tank release button
10. Floor brush



TECHNICAL SPECIFICATIONS

Model	VC-STK800-BLUE
Product Name	Stick Vacuum Cleaner
Voltage	240 V
Rated Power	800 W

IMPORTANT SAFEGUARDS

All users of this appliance must read and understand these safety precautions before operating to avoid personal injury or damage to the appliance.



Warning! The hazards or unsafe practices below could result in appliance damage, serious personal injury, or death.

1. This appliance is not intended for use by persons (including children) with reduced physical, sensory or mental capabilities, or lack of experience and knowledge, unless they have been given supervision or instruction concerning use of the appliance by a person responsible for their safety.
2. Before plugging in the appliance to charge, check that the electrical rating shown on the rating plate corresponds with your household electricity supply.
3. Do not charge if the power cord or plug is damaged.
4. Do not handle the plug or appliance with wet hands.
5. Never immerse the appliance or power cord in water or splash water onto the appliance to avoid the risk of a short circuit or electric shock.
6. Avoid damaging the power cord or plug by doing the following:
 - Do not place near heating elements.
 - Do not modify, bend, twist or pull.
 - Do not place heavy objects on top, or bundle the power cord.
 - Do not pull on the power cord when removing the plug from the socket.
7. Children should be under supervision to ensure that they do not play with the appliance.
8. Never clean the appliance with any acidic or alkaline liquids to avoid electric shock or appliance damage.
9. Keep all packaging materials such as plastic bags, cartons and styrofoam out of reach of children.
10. If the power cord is damaged, it must be replaced by a professional repair centre or similarly qualified person in order to avoid hazard.
11. Any servicing should be performed by an authorised service representative. Do not attempt to disassemble, repair or modify the appliance.
12. Please use an independent power socket (not attached to a multiple socket adapter) with a UK mains voltage of 220 to 240 V.
13. Do not use the appliance on people or animals.
14. Do not vacuum the following:
 - Hot ash or embers.
 - Large or sharp objects.
 - Water or other liquids.
 - Flammable, combustible, or explosive, materials or gases.
 - Toner dust from printers or photocopiers, nor conductive dusts such as those from power tools.
15. Do not use the filter when wet, make sure it is completely dry to avoid damaging the appliance.
16. The plug must be removed from the socket outlet before cleaning or maintaining the appliance.
17. Clean the plug regularly with a dry cloth.

IMPORTANT SAFEGUARDS

18. This appliance is designed for household use only. It is not suitable for commercial / industrial use, or for any other cleaning purposes.
19. Do not block the suction inlet or vent on the appliance.
20. Do not sit on the appliance.
21. Hold the carrying handle when using or storing.
22. Ensure that the dust filter is regularly cleaned to preserve the suction of the appliance.
23. Do not use the appliance without the dust container and filter position.
24. If the appliance cuts out, turn it off and check the dust tank and filters, as they may be full or clogged. Check for any other obstructions in the floor brush or telescopic extension tube. After removing the obstruction, leave the appliance to cool down until the thermal cut-out resets (approximately 60 minutes, depending on the surrounding ambient temperature); you can then use the appliance again.
25. Do not use the appliance near any inflammable or hazardous materials.
26. Keep the appliance away from heat sources. For example, radiators, fires, direct sunlight, etc.
27. The use of accessories which are not recommended by Dohl may result in fire, electric shock, or personal injury.
28. Unplug the appliance from the power socket when not in use.
29. If you do not intend to use the appliance for a long period of time, clean it, then put back into the original packaging to prevent the electrical components from being damaged by moisture or other factors.

Warning

1. Keep these instructions somewhere safe.
2. Never use any accessories or parts from other manufacturers, or that Dohl does not specifically recommend.
3. If you use any such accessories or parts, your warranty is invalidated.
4. This appliance is intended for household use only.
5. Failure to observe these cautions may result in damage to the appliance and will invalidate your warranty.

USING THE APPLIANCE

1. Fit the HEPA filter into the dust tank, then turn it right to lock it in place.
2. Place the dust tank on the main body and turn it right to lock it.
3. The foot brush will fit the bottom on the main body and click into place.
4. Fit the telescopic pole into the top of the main body until it clicks into place.

Plug the appliance into a socket and press the ON/OFF button. Be careful not to trap the cable under furniture or doors etc.

Emptying the Dust Tank

1. Press the on / off button to turn off the appliance.
2. Unplug the power cord.
3. Use one hand to hold the air inlet, and use another hand to hold the handle of the vacuum cleaner while pressing the dust tank release switch. Pull the hand that is holding the air inlet up to separate the dust tank from the vacuum cleaner.
4. Pull the dust tank upwards to remove it; do not pull it directly away from the vacuum cleaner.

CLEANING THE APPLIANCE



It is important to clean your filters regularly. Failure to do so will lead to loss of suction in the appliance. Follow these simple steps to keep your vacuum working efficiently.



1. Turn off and unplug the appliance before cleaning or maintaining.
2. Wipe the external surface of the appliance with a soft, damp cloth and allow to dry thoroughly.
3. Do not use any detergents or harsh cleaning agents to clean any parts of the appliance.
4. Empty the dust tank by taking off the foot brush and pressing the release button.
5. Ensure that the HEPA filter is taken out regularly cleaned. You should try to get as much dust from this after each use and then clean the filter in water as often as possible.
6. Replace dust container back onto the appliance body ready for use.



If the sponge filter is heavily soiled it can be rinsed with warm water. You will need to allow at least **24 hours drying time** before using the appliance again.



If the vacuum cleaner has lost suction or is not picking up small items, this indicates that the filters need cleaning. This needs to be done on a regular basis to keep your vacuum cleaner in tip-top condition.

TROUBLESHOOTING

Should you run into any problem operating this product, use the table below to troubleshoot. If the problem persists, contact Dihl or your retailer.

Problem	Possible Cause	Solution
The appliance will not switch on	The thermal cut-out device tripped	Turn off the appliance. Allow to cool so that the thermal cut-out device resets itself.
		Clean the dust tank and filter
Loss of suction	Full or clogged dust tank	Empty the dust tank
	Clogged extension tube	Check for blockages
	Clogged floor brush	Check for blockages
	Extension tube not inserted correctly	Check the extension tube connection. Clean the dust tank and filters
	Dirty filters	Clean the dust tank and filter

The above table lists the most common problems regarding the operation of your product, with possible causes and solutions.

Should there be any product malfunction or breakdown, DO NOT repair it yourself. Contact Dihl or your supplier / retailer if you are within your warranty period, or a professional repair centre if not.

Important Notice

IN NO EVENT SHALL DIHL OR YOUR SUPPLIER / RETAILER BE LIABLE TO YOU OR ANY OTHER PARTY FOR ANY DIRECT, INDIRECT, GENERAL, SPECIAL, INCIDENTAL, CONSEQUENTIAL, EXEMPLARY, OR OTHER DAMAGES, ARISING FROM THE USE OR INABILITY TO USE THIS PRODUCT (INCLUDING, WITHOUT LIMITATION, DAMAGES FOR INJURY, LOSS OF PROPERTY OR PROFITS, AND BUSINESS INTERRUPTION) OR FROM ANY BREACH OF WARRANTY, EVEN IF DIHL OR THE SUPPLIER / RETAILER HAS BEEN ADVISED OF THE POSSIBILITY OF SUCH DAMAGES. IN NO CASE SHALL DIHL'S OR THE SUPPLIER'S / RETAILER'S LIABILITY EXCEED THE AMOUNT YOU PAID FOR THE PRODUCT.

Specifications, design and dimensions are subject to change without prior notice.

Environmental Info

Do not throw away the appliance with the normal household waste at the end of its life; hand it in at an official collection point for recycling. By doing this, you help to preserve the environment.



Warranty

Your new Dohl product is supplied with a warranty of 12 months from the date of purchase. The product must be used in the manner indicated within this manual. Any abuse of any parts of the product will invalidate the warranty.

Support

If you need more information or if you have a problem, please contact Dohl at enquiries@dohl.co.uk. If you have purchased your item from another retailer, please contact them directly.

To view our entire product range, visit
www.dohl.co.uk



value

quality

no compromise